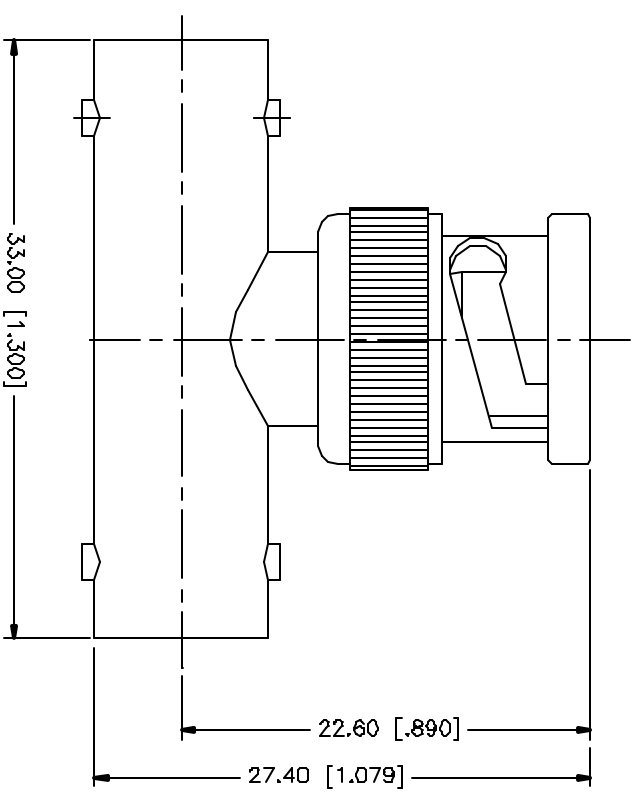


REV.	DATE	DESCRIPTION
NC	10/16/02	INITIAL RELEASE
A	05/01/04	UPDATE DRAWING FORMAT



QTY	FINISH	MATERIAL	DESCRIPTION
1	GOLD	BRASS	CONTACT PIN
1	GOLD	PHOS. BRONZE	CONTACT PIN
1	NATURAL	DELFIN	INSULATOR
1	NICKEL	DEDCAST	HOUSING/BODY
			DESCRIPTION

APPROVALS	DATE
DRAWN G.R.S.	05/01/04
CHECKED	
ISSUED	
SHEET 1 OF 1	

<p><b>Amphenol Connex</b></p> <p><b>BNC "T" ADAPTOR JACK-PLUG-JACK</b></p> <p>112462</p>	<p>DWG. NO. 112462.DWG</p> <p>REV. A</p> <p>SIZE A</p> <p>SCALE N/A</p>
--	---

<p>UNLESS OTHERWISE SPECIFIED, DIMENSIONS ARE IN MILLIMETERS, ANGLES ARE IN DEGREES, AND HOLE DIMENSIONS ARE FOR DRILLING UNLESS NOTED OTHERWISE.</p> <p>UNLESS OTHERWISE SPECIFIED, TOLERANCES FOR MILLING ARE:</p> <p>0.5 - 30mm ± 0.20mm</p> <p>30 - 120mm ± 0.40mm</p> <p>120 - 150mm ± 0.50mm</p> <p>UNLESS OTHERWISE SPECIFIED, TOLERANCES FOR HOLE ARE:</p> <p>0.20 - .315 ± 0.007"</p> <p>.315 - 1.180 ± 0.015"</p> <p>1.180 - 4.724 ± 0.020"</p>	<p>DO NOT SCALE DRAWINGS</p>
---	------------------------------